

# SPI A 200

## SPIRAL MIXER WITH REMOVABLE BOWL



We provide quality professional equipment and services to artisan bakeries.



# PÉTRINS À CUVE AMOVIBLE GAMME SPI A 200

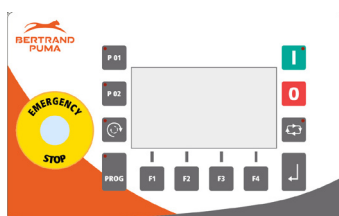
The SPI A 200 removable bowl spiral mixer allows the processing of small and large doughs.

When used with a BCA bowl lifter, the SPI A removable bowl spiral mixer allows the dough in the bowl to be effortlessly discharged to a table or a volumetric divider.



## CONSTRUCTION

- The food-safe epoxy-painted steel frame rests on 6 adjustable non-slip supports for easy floor cleaning.
- The cover is made of thermoformed, impact-resistant ABS.
- The bowl is made of stainless steel with a reinforced top edge.
- The mixer is equipped with two rotation speeds.
- The kneading tool (stainless steel spiral and central bar), combined with the bowl's specific geometry, prevents the dough from rising and ensures perfect oxygenation, even for small quantities of dough.
- The braked bowl allows precise control of kneading speed according to dough strength.
- Bowl insertion and extraction is facilitated by a hydraulic head lifting mechanism.
- A bowl pre-hooking device facilitates installation of the machine on uneven surfaces.



**CONTROL PANEL**

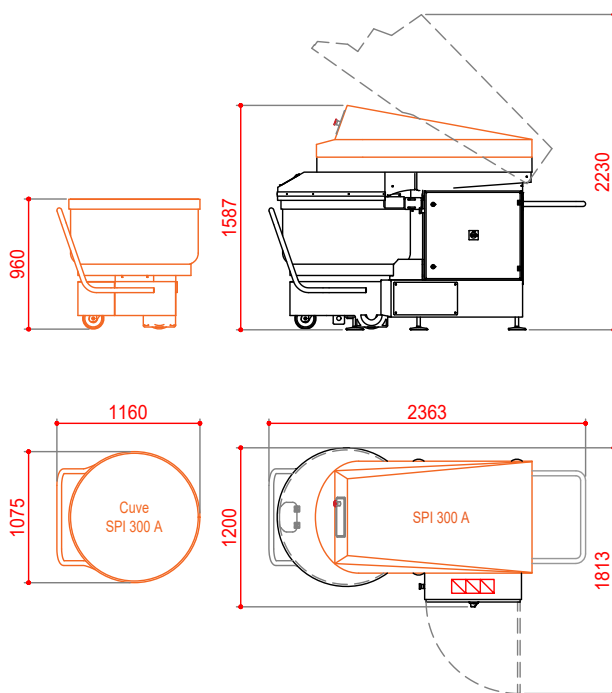
The control allows the operator to use up to 99 recipes with different work cycles (1<sup>st</sup> speed, 2<sup>nd</sup> speed, reversal of rotation direction, manual and automatic cycles, rest and stop).

A specific bowl rotation speed can be defined for each recipe.



**PRE-HOOKING**

Details of the hooking and unhooking system: the pre-hooking device enables easy coupling, even on steeply sloping floors.



✓ standard € paying option

	SPI A 200
Max. bowl capacity	300
Min. pouring capacity	2
Max. pouring capacity	75
Min. flour capacity	3
Max. flour capacity	125
Min. dough capacity	5
Max. dough capacity	200
Tool speed	107-214
Net weight	1220
Electronic control	✓
Automatic speed shift	✓
Transparent cover against flour spillage	✓
Reversal of bowl direction in 1st speed	✓
Adaptable to the BCA bowl lifter	✓
Additional bowl	€
Temperature sensor	€
Electrical supply	400V / TRI+T / 50-60Hz
Power (kW)	10

NON CONTRACTUAL DATA

# MANY AND MORE, REAL GOODS



555 rue Benoit Frachon, 26800 PORTES-LES-VALENCE (France)  
Phone : +33 (0) 475 575 500 -Email : [contact@sebp-bertrand.com](mailto:contact@sebp-bertrand.com)  
[www.bertrand-puma.fr](http://www.bertrand-puma.fr)

---

an Ali Group Company



The Spirit of Excellence